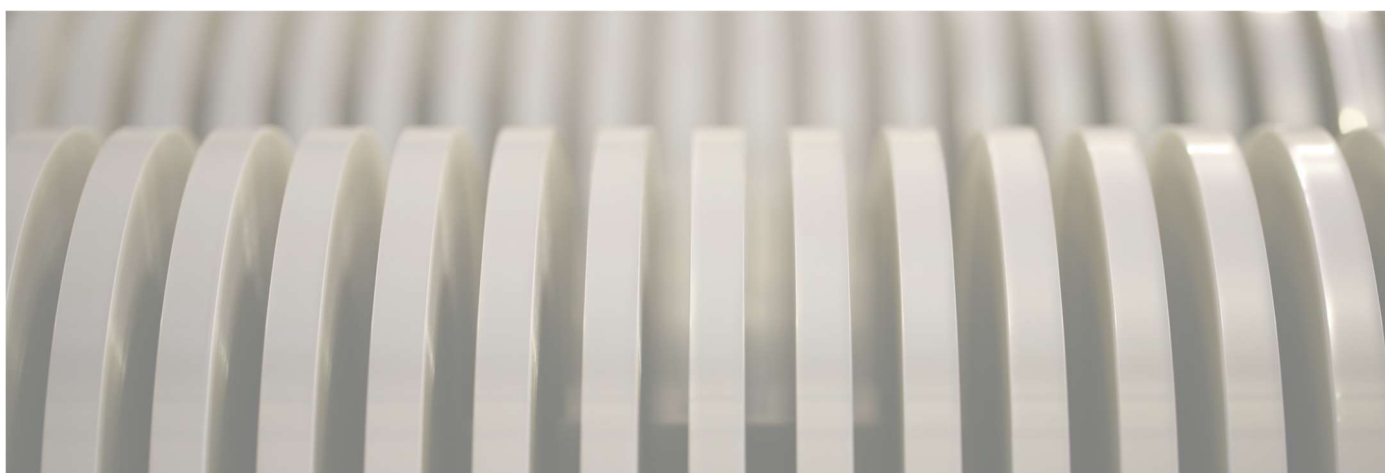


## POLYESTER TAPES

Poliethylene Terephtalate. (PET)



Clear, flat insulating film with excellent mechanical properties dimensional chemical stability. Specially appropriate for separating film between layers in different cable constructions



### Technical Values\*

Properties	Test Method	12	19	23	36	50	75	125
Thickness $\mu\text{m}$		12	19	23	36	50	75	125
Yield $\text{g}/\text{m}^2$		17	26,6	32,2	50,4	70,0	105,0	175,0
Tensile Strength $\text{N}/\text{mm}^2(\text{min.})$	ASTM D882	170	190	190	190	190	180	170
Elongation at break $\%(\text{min.})$	ASTM D882	90	90	90	90	90	120	120
Surface Resistivity $\Omega$	ASTM D257	$1.5 \times 10^{13}$						
Volume Resistivity $\Omega \cdot \text{m}$	ASTM D257	$2.0 \times 10^{14}$						
Breakdown voltage $\text{kV}$	JIS C2151	3.4	5.1	7.9	9	10.8	13.3	16.9
Thermal Shrinkage % 150°C 30mn MD		2.8	2.8	2.8	2.8	2.8	3.0	2.8

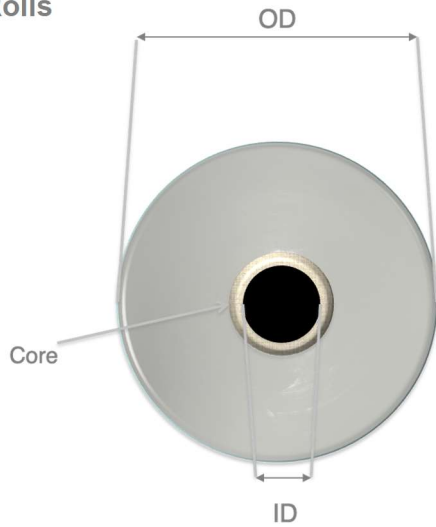
*\*(Values shown are typical values among PET films and do not constitute binding specifications)*

### Please contact us for:

Thicknesses 15  $\mu\text{m}$ , 150  $\mu\text{m}$ , 190  $\mu\text{m}$ , 250  $\mu\text{m}$ , 350  $\mu\text{m}$   
Standard film color is natural. Nevertheless we have a large variety of films, black, milky, and different haze.  
PE or compact polipropilene films are also available.

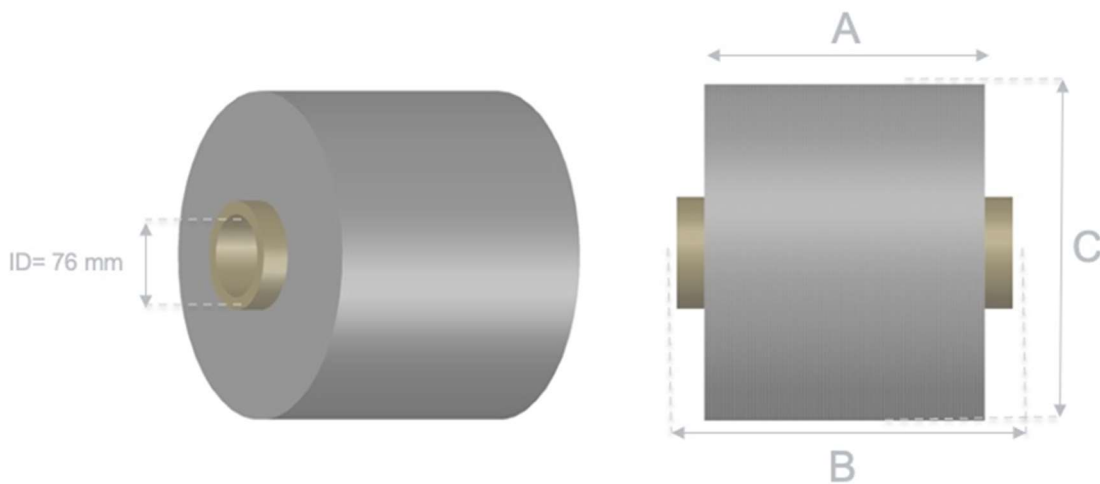
### Packaging presentations

## Pads/Rolls



ID Typical values: 76 (3 inch), 102 (4.5 inch), 152 (6 inch)  
 Other ID available on demand. Contact us.  
 OD Typical values: From 80-600 mm  
 Core: Plastic or carton, different thicknesses available  
 Widths: from 5 to 1000 mm

## Traverse Wounded Spool or Step to Step spool



ID Typical values: 76 (3 inch)  
 OD Typical values: Up to 300-320 mm  
 Core: Plastic or carton, different thicknesses available.  
 Pre-cut versions cores available.  
 Widths: from 3,5 to 80 mm